

Technical Specification Bulletin Number 055

Fuel Type
Oil/Gas/Mf

Date of Issue
March 2000

Edition
1

Filing section No.
13

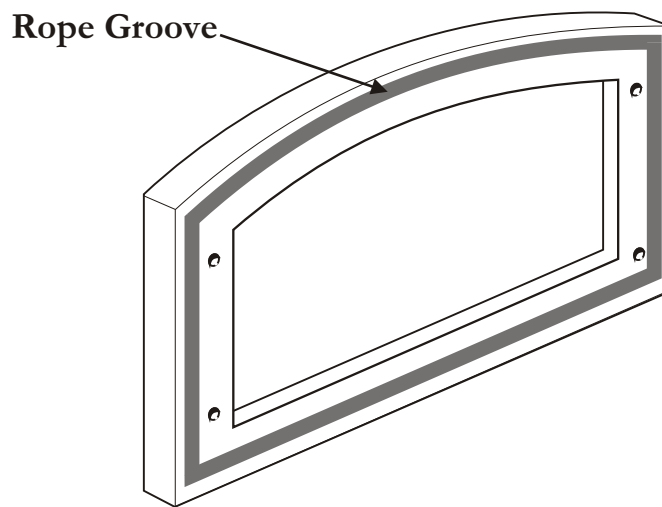


Rope Seal Replacement

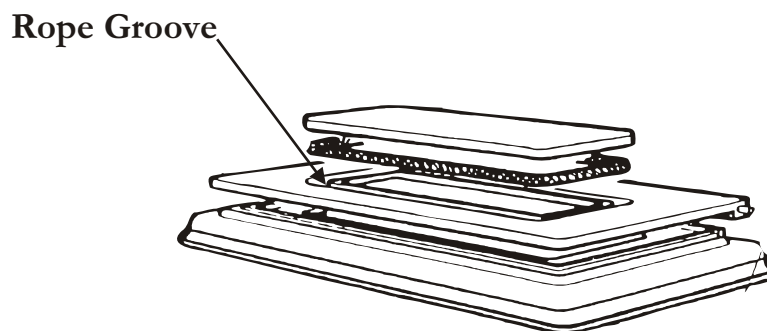
Page Number 1

Remove old rope seal from the rope groove.

Clean rope groove of all loose deposits and old glue.



Cut correct rope length to fit rope groove.



Shake glue bottle for a full 2 minutes. Apply a thine bead of rope glue to groove.
Press rope into grove.

Euroheat Distributors (HBS) Ltd.,

Unit 2, Court Farm Business Park, Bishops Frome, Worcestershire, WR6 5AY.

Telephone 01885 490474 Facsimile 01885 490469 Email info@euroheat.co.uk Web Site <http://www.euroheat.co.uk>